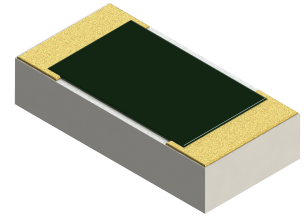


RM1206HA-1000JN-98 Features:

- Top Terminals w/ Isolated Backplane
- Wirebondable Input, Solder or Epoxy Ground
- Customer Defined Testing Available
- RoHS Compliant
- Tape & Reel or Waffle Pack Available (Standard is bulk)
- 5% Resistor Tolerance



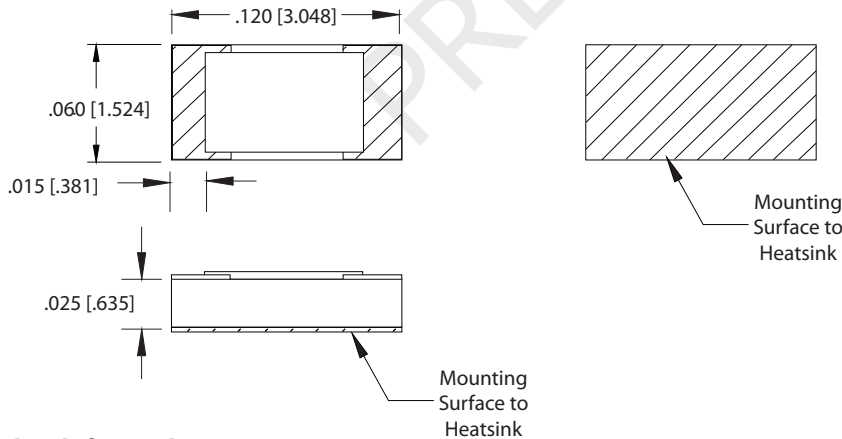
RM1206HA-1000JN-98 Parameters:

Resistance:	100Ω ± 5%
Rated Power:	20W*
TCR:	200 PPM
Construction:	Thick Film on BeO
Operating Temperature:	-55 to +150°C

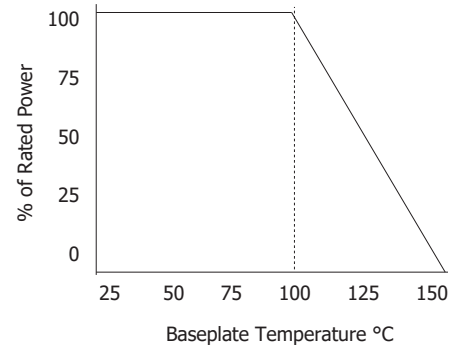
■ Actual Size

* Rating based on ≤100°C constant baseplate temperature

RM1206HA-1000JN-98 Dimensions:



RM1206HA-1000JN-98 Power Derating Curve



Dimensions in inches [mm]
Tolerance is ± 0.010 [0.254]
unless otherwise stated

Ordering Information:

RM	1206	HA	-	1000	J	N	-	98	UU		
Prefix for Resistor w/ Top Terminals & Isolated Backpad	Size 1206	Value Code 1000 - 100Ω	RoHS Yes	Tolerance J - 5%	Magnetic No	Normal Inspection Contact factory for additional options	Solder Yes (GND)	Substrate 98 - 0.025" BeO	Epoxy Yes (GND)	Wirebond Yes (Input)	Package Blank - Bulk TR - Tape and Reel WP - Waffle Pack
Terminal Metallization HA - Gold over Platinum Palladium Gold Input with Platinum Palladium Gold Ground											

Barry Industries reserves the right to change part number and/or process without notification.



ORIG.	REV.	No.
FEB 24 2016	-	-